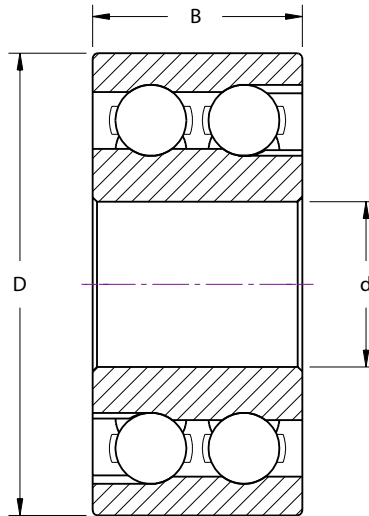


5300W Series



Bearing Size	Dimensions			Load Rating (lbf)		Limiting Speed (RPM)	
				Dynamic	Static		
	d (mm)	D (mm)	B (inch)	Cr	Cor	Grease	Oil
5305W	25	62	1	7600	6800	7500	10000
5306W	30	72	1-3/16	10700	9600	6300	8500
5307W	35	80	1-3/8	12000	11000	5600	7500
5308W	40	90	1-7/16	15500	15200	5000	6700
5309W	45	100	1-9/16	19200	17100	4500	6000
5310W	50	110	1-3/4	19300	19200	4000	5300
5311W	55	120	1-15/16	21400	23200	3800	5000
5312W	60	130	2-1/8	24700	26600	3400	4500
5313W	65	140	2-5/16	28600	30600	3200	4300
5314W	70	150	2-1/2	32500	35400	2800	3800
5315W	75	160	2-11/16	35600	40400	2600	3600